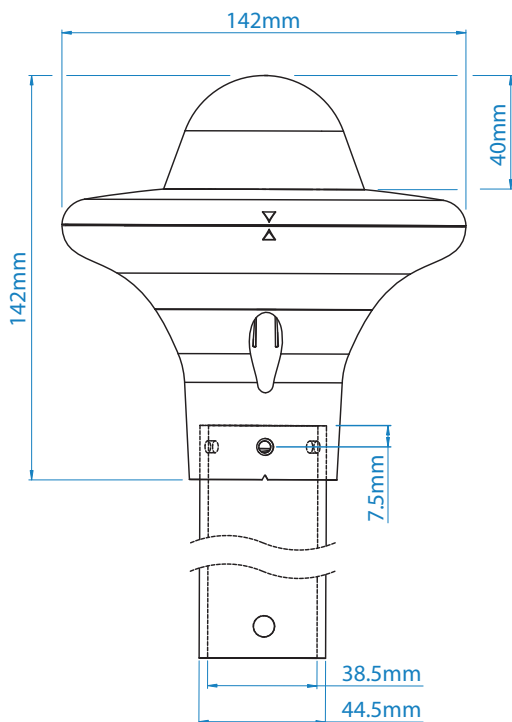


## GMX100 Compact Weather Station

The MaxiMet range of compact weather stations is designed and manufactured by Gill Instruments. MaxiMet products use reliable, high quality instruments to provide accurate meteorological information in a wide variety of applications.

### GMX100 Features

**Precipitation.** An integrated optical rain gauge that automatically senses water hitting its outside surface and provides measurements based on the size and number of drops. Algorithms interpret this data and simulate the output of a tipping bucket rain gauge in a serial format. The optical rain gauge has no moving parts associated with tipping bucket gauges.



PRECIPITATION	PARAMETERS
<ul style="list-style-type: none"> <li>▪ Rainfall total</li> <li>▪ Rainfall intensity</li> <li>▪ Rainfall Y/N</li> <li>▪ Emulated tipping bucket</li> <li>▪ Integrated heater</li> <li>▪ No moving parts</li> </ul>	<ul style="list-style-type: none"> <li>▪ Precipitation <i>mm/hr, mm/total, mm/24 hr in/hr, in/total, in/24 hr</i></li> <li>▪ Outputs <i>RS232, 422, 485 (ASCII), SDI-12, NMEA, MODBUS, Analogue (option)</i></li> </ul>

### All MaxiMet Models Feature

- Quality Measurements
- Lightweight and Robust
- Low Power Mode
- Free of Charge Software
- Gill Proven Reliability
- Compact Integrated Design
- Real Time Output
- Easy Installation
- Bluetooth Service Port
- Gill Customer Support
- 2 Year Warranty

## Applications

- Building and Industrial Controls
- Authorities
- Transport
- Coastal
- Agricultural
- Safety
- Educational
- Commercial
- Energy

PRECIPITATION	
Measurement type	Optical
Range	0-150 mm/hr
Precipitation Resolution	0.2 mm
Accuracy	2%
Sampling Rate	1 Hz
Units	mm/hr, mm/total, mm/24 hr, in/hr, in/total, in/24 hr
Heating	YES

OUTPUTS	
Output rate	1/s, 1/min, 1/hr
Digital Comms Modes	Serial RS232, RS422, RS485, SDI-12, NMEA, MODBUS, ASCII
Analogue Outputs	Available via separate optional device

POWER	
Power Supply	5 to 30 Vdc
Power (Nominal) 12 Vdc	80 mA continuous high mode. 0.05 mA eco-power mode (1 hour polled)

ENVIRONMENTAL CONDITIONS	
IP Rating	66
Operational Temperature Range:	-40°C to +70°C
EMC Standard:	BS EN 61326 : 2013 FCC CFR47 parts 15.109
CE Marking	YES
RoHS compliant	YES
Weight	0.3 Kg
Origin	UK

Specifications may be subject to change without prior notice

# GILL

## Gill Instruments Limited

Saltmarsh Park, 67 Gosport Street  
Lymington, Hampshire SO41 9EG  
United Kingdom

Tel: +44 (0) 1590 613 500  
Fax: +44 (0) 1590 613 501  
anem@gillinstruments.com



[gillinstruments.com](http://gillinstruments.com)

1957-003 Iss 1

Copyright © Gill Instruments 2015